

Luminaire Specification

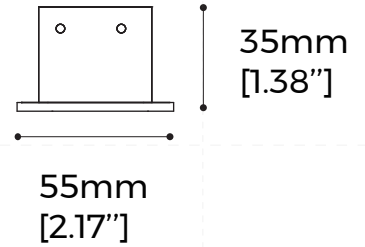
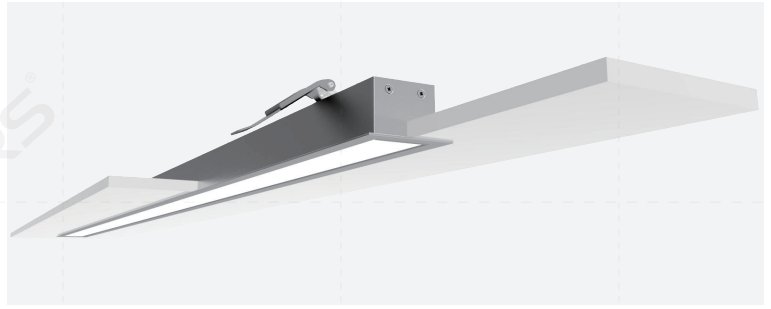
# BE5535FD\_Luminaire

— BASIC series



## [Features]

- Material: AL6063-T5, spraying surface / anodizing
- Coating: Silver anodized (RAL9006), Black (RAL9005), White (RAL9003)
- Lighting direction: downward
- Light efficiency: 100 LM/W (Regular/ Emergency model), 125 LM/W (High efficiency model)
- Dimming method: Non/ DALI-2+PUSH/ 1-10V/CASAMBI/ Tuya WIFI/Tuya Bluetooth/Tuya Zigbee optional
- Length: 1200mm/1800mm/2400mm optional, (other length on request)
- SDCM≤3(ANSI)
- CRI:80/90
- CCT:2700/3000/3500/4000/5000/6500/3000-6500K optional
- Input voltage: AC220-240V
- Application: Indoor
- Installation method: Recessed
- IP grade: IP20
- Certification: CB, CE, UKCA, ROHS, Reach
- Warranty: 5 years(Emergency power model/CASAMBI/Tuya WIFI/Tuya Bluetooth/Tuya Zigbee:3 years)



## [Photo-electric parameters]

Version	Model	Length	Input Voltage (V)	Max. Current (A)	Type Power (W)	Max. Power (W)	CRI	CCT	Lumen (LM)
Regular/ Emergency power models	LLS-BE5535FDXSS1200(N) LLS-BE5535FDXSS1200(E)	1200mm [3.94ft]	220VAC~ 240VAC	0.50 [0.03A/ft]	19 [4.82W/ft]	21 [5.33W/ft]	>80	2700K	1760 [450LM/ft]
								3000K	1790 [460LM/ft]
								3500K	1820 [470LM/ft]
								4000K	1900 [490LM/ft]
								5000K	1900 [490LM/ft]
								6500K	1900 [490LM/ft]
							>90	2700K	1480 [380LM/ft]
								3000K	1510 [390LM/ft]
								3500K	1550 [400LM/ft]
								4000K	1610 [420LM/ft]
								5000K	1610 [420LM/ft]
								6500K	1610 [420LM/ft]
Dial switch CCT control	LLS-BE5535FDXSS1200(T)						>80	3000K	/
								4300K	1900 [490LM/ft]
								6500K	/
							>90	3000K	/
								4300K	1610 [420LM/ft]
								6500K	/

Regular	LLS-BE5535FDXSS1800(N)	1800mm [5.91ft]	220VAC~ 240VAC	0.70 [0.12A/ft]	27 [4.57W/ft]	30 [5.08W/ft]	>80	2700K	2480 [420LM/ft]
								3000K	2540 [430LM/ft]
								3500K	2590 [440LM/ft]
								4000K	2700 [460LM/ft]
								5000K	2700 [460LM/ft]
								6500K	2700 [460LM/ft]
							>90	2700K	2120 [360LM/ft]
								3000K	2160 [370LM/ft]
								3500K	2200 [380LM/ft]
								4000K	2300 [400LM/ft]
								5000K	2300 [400LM/ft]
								6500K	2300 [400LM/ft]
Dial switch CCT control	LLS-BE5535FDXSS1800(T)						>80	3000K	/
								4300K	2700 [460LM/ft]
								6500K	/
							>90	3000K	/
								4300K	2300 [400LM/ft]
								6500K	/
Regular	LLS-BE5535FDXSS2400(N)	2400mm [7.87ft]	220VAC~ 240VAC	1.00 [0.13A/ft]	38 [4.83W/ft]	40 [5.08W/ft]	>80	2700K	3490 [440LM/ft]
								3000K	3570 [450LM/ft]
								3500K	3650 [460LM/ft]
								4000K	3800 [480LM/ft]
								5000K	3800 [480LM/ft]
								6500K	3800 [480LM/ft]
							>90	2700K	2980 [380LM/ft]
								3000K	3040 [390LM/ft]
								3500K	3100 [400LM/ft]
								4000K	3230 [420LM/ft]
								5000K	3230 [420LM/ft]
								6500K	3230 [420LM/ft]
Dial switch CCT control	LLS-BE5535FDXSS2400(T)						>80	3000K	/
								4300K	3800 [480LM/ft]
								6500K	/
							>90	3000K	/
								4300K	3230 [420LM/ft]
								6500K	/

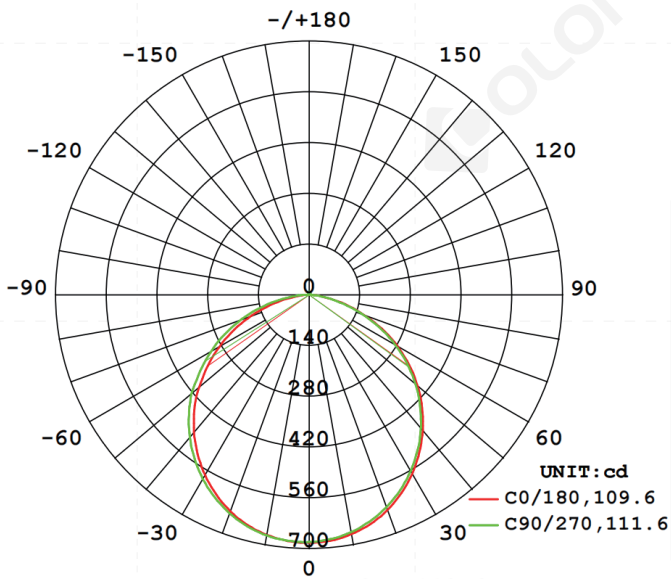
High-efficiency models	LLS-BE5535FDXSS1200(H)	1200mm [3.94ft]	220VAC~ 240VAC	0.50 [0.03A/ft]	19 [4.82W/ft]	21 [5.33W/ft]	>80	2700K	2190 [556LM/ft]
								3000K	2240 [569LM/ft]
								3500K	2290 [581LM/ft]
								4000K	2380 [604LM/ft]
								5000K	2380 [604LM/ft]
								6500K	2380 [604LM/ft]
	>90	2700K	1860 [472LM/ft]						
		3000K	1900 [482LM/ft]						
		3500K	1940 [492LM/ft]						
		4000K	2020 [513LM/ft]						
		5000K	2020 [513LM/ft]						
		6500K	2020 [513LM/ft]						
	LLS-BE5535FDXSS1800(H)	1800mm [5.91ft]	220VAC~ 240VAC	0.70 [0.12A/ft]	27 [4.57W/ft]	30 [5.08W/ft]	>80	2700K	3110 [526LM/ft]
								3000K	3180 [538LM/ft]
								3500K	3250 [550LM/ft]
								4000K	3380 [572LM/ft]
								5000K	3380 [572LM/ft]
								6500K	3380 [572LM/ft]
>90							2700K	2640 [447LM/ft]	
							3000K	2700 [457LM/ft]	
							3500K	2760 [467LM/ft]	
							4000K	2870 [486LM/ft]	
							5000K	2870 [486LM/ft]	
							6500K	2870 [486LM/ft]	
LLS-BE5535FDXSS2400(H)	2400mm [7.87ft]	220VAC~ 240VAC	1.00 [0.13A/ft]	38 [4.83W/ft]	40 [5.08W/ft]	>80	2700K	4370 [555LM/ft]	
							3000K	4470 [568LM/ft]	
							3500K	4560 [580LM/ft]	
							4000K	4750 [604LM/ft]	
							5000K	4750 [604LM/ft]	
							6500K	4750 [604LM/ft]	
						>90	2700K	3720 [473LM/ft]	
							3000K	3800 [483LM/ft]	
							3500K	3880 [493LM/ft]	
							4000K	4040 [513LM/ft]	
							5000K	4040 [513LM/ft]	
							6500K	4040 [513LM/ft]	

Note:

1. The above parameters were tested based on 1.2M(3.94') standard products;
2. luminous flux is allowed to have a ±10% error range;
3. The above parameters are typical values.

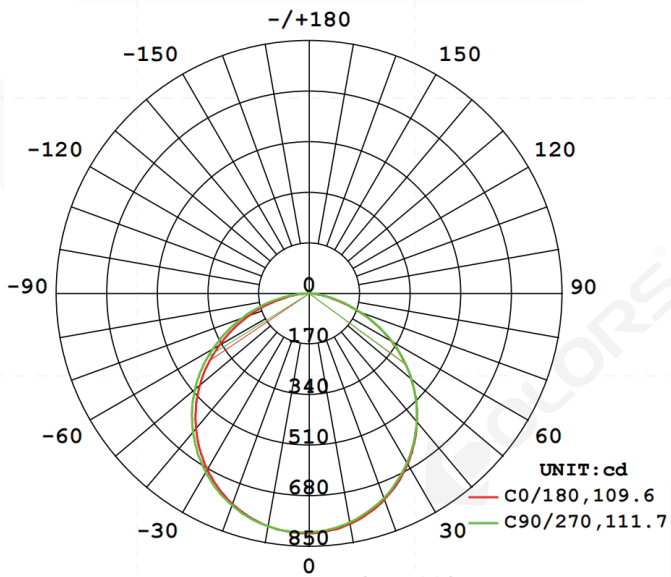
# [Optical Parameter]

[Regular/Dial switch CCT control]



AVERAGE BEAM ANGLE (50%) : 110.6 DEG  
 luminous intensity distribution diagram

[High-efficiency models]



AVERAGE BEAM ANGLE (50%) : 110.7 DEG  
 luminous intensity distribution diagram

Flux out: 1371 lm

Height	Eavg, Emax	Diameter
1m	214.0, 684.1lx	283.52cm
2m	53.50, 171.0lx	567.03cm
3m	23.78, 76.01lx	850.55cm
4m	13.38, 42.76lx	1134.07cm
5m	8.560, 27.36lx	1417.59cm
6m	5.945, 19.00lx	1701.10cm
7m	4.367, 13.96lx	1984.62cm
8m	3.344, 10.69lx	2268.14cm
9m	2.642, 8.44lx	2551.65cm
10m	2.140, 6.84lx	2835.17cm

Angle: 109.60deg  
 Note: The Curves indicate the illuminated area and the average illumination when the luminaire is at different distance.

AAI Figure

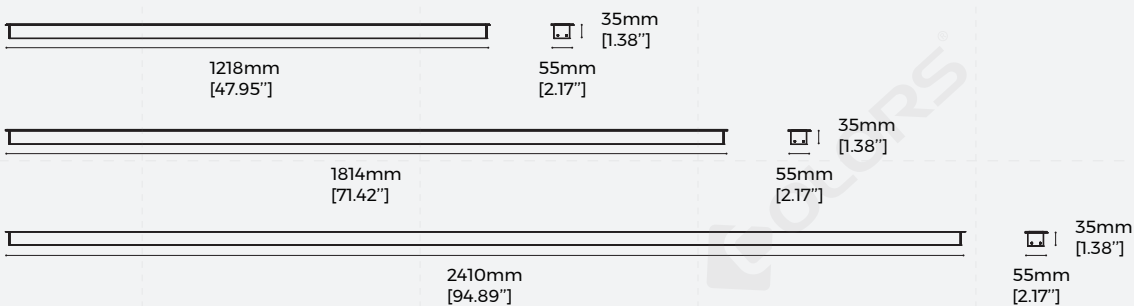
Flux out: 1615 lm

Height	Eavg, Emax	Diameter
1m	252.0, 806.1lx	283.73cm
2m	63.00, 201.5lx	567.45cm
3m	28.00, 89.56lx	851.18cm
4m	15.75, 50.38lx	1134.91cm
5m	10.08, 32.24lx	1418.64cm
6m	7.000, 22.39lx	1702.36cm
7m	5.143, 16.45lx	1986.09cm
8m	3.938, 12.59lx	2269.82cm
9m	3.111, 9.95lx	2553.54cm
10m	2.520, 8.06lx	2837.27cm






Angle: 109.64deg  
 Note: The Curves indicate the illuminated area and the average illumination when the luminaire is at different distance.

AAI Figure

# [Product mechanical data]



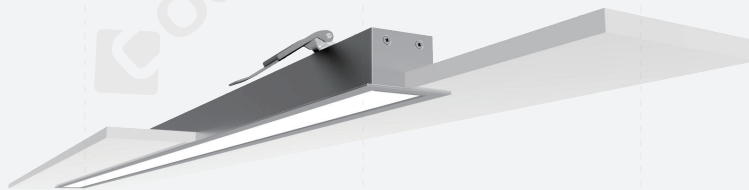
## [Product Accessories Information]

Picture	Section size	Name	Description	Model	Note
		Splicing bar	Size: L50*W22.5*H10.8mm [Inch size: L1.97**W0.89**H0.43"]	EX-17	Splicing Accessories
	/	Recessed buckle	Size: L68.5*W35*H31.6mm [Inch size: L2.70**W1.38**H1.24"]	RB-02	Installation Accessories
	/	L shaped corner	Without lighting source; Size: L150*W150*H35mm [Inch Size: L5.91**W5.91**H1.38"]	L90-BE5535	Customizable interconnected corners
	/	L shaped corner (light from outward)	Without lighting source; Size: L150*W150*H55mm [Inch Size: L5.91**W5.91**H2.17"]	L90W-BE5535	
	/	L shaped corner (light from inward)	Without lighting source; Size: L150*W150*H55mm [Inch Size: L5.91**W5.91**H2.17"]	L90N-BE5535	
	/	T shaped corner	Without lighting source; Size: L300*W177.5*H35mm [Inch Size: L5.91**W6.99**H1.38"]	T90-BE5535	
	/	X shaped corner	Without lighting source; Size: L300*W300*H35mm [Inch Size: L11.81**W11.81**H1.38"]	X90-BE5535	

## [Product Type]

### 【Regular/High-efficiency models】

· Dimming method: Non/ DALI-2+PUSH/ 1-10V/CASAMBI/WIFI/Bluetooth/Zigbee optional



#### · CASAMBI Dimming

Technical parameters:

- Input Voltage: 220-240VAC/50Hz
- APP supported version: iPhone iOS10/iPad iOS 10/Android 4.4 and above
- Can act as a repeater
- Support APP remote dimming, brightness adjustment, group control and scene control, etc.

CASAMBI

GET IT ON  
App Store

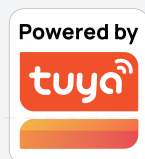
GET IT ON  
Google play



#### · WIFI/Zigbee/Bluetooth Dimming

Technical parameters:

- Input Voltage: 220-240VAC/50Hz
- Input signal: WIFI/Zigbee/Bluetooth(optional)
- Remote distance: 30m(no barrier)
- Dimming range: 1-100% (Linear Dimming)
- Support APP remote dimming, timeline brightness auto-adjustment, group control and scene control, etc.



#### · Function



Brightness  
Adjustment



Remote  
Control



Timing &  
Delay Time



Group &  
Scene Control



Brightness  
Gradient



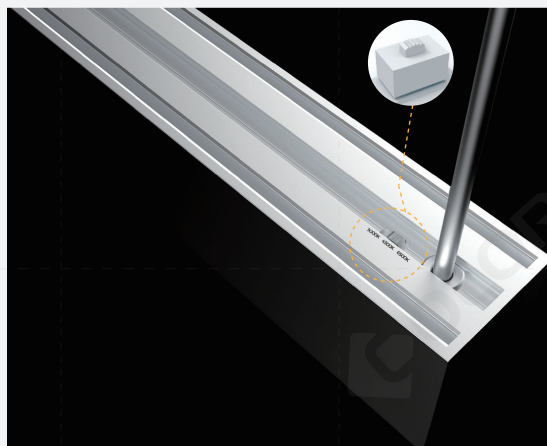
Power-Off  
Memory



Do-Not  
-Disturb

### 【Dial switch CCT control】

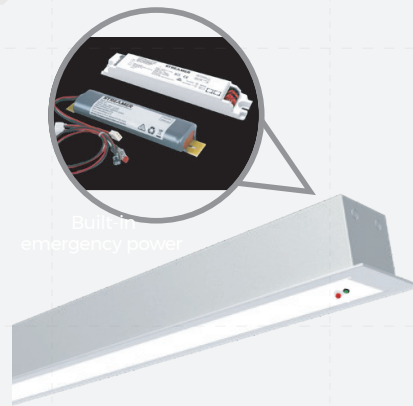
- Dimming method: Non/ DALI-2+PUSH/ 1-10V optional
- 3000K/4300K/6500K 3-tier CCT adjustable, can achieve general lighting demands









## [Product Type]

### [Emergency power model]

- Dimming method: Non/ DALI-2+PUSH/ 1-10V optional
- Product length is 1.2m, other lengths need to be customized.



1. Test button : The test button is a open switch, if you press it, the emergency driver connects and goes into emergency mode. If you release the button, it will cuts off emergency driver and goes back to normal mode automatically.
2. If the luminaire is in the emergency state, press and hold the emergency test button for 5S to cancel the emergency state.
3. LED indicator : It can reflect / working / non working / charging / fully charged status,as detailed below.

Indicator	Color and led indication	Status	Comment
	Permanent green	Fully charged or charging mode	AC mode
	Fast flashing green (0.1 sec on, 0.1 sec off)	Function test underway	self-test function
	Slow flashing green (1 sec on, 1 sec off)	Duration test underway	self-test function
	Permanent red	Load failure	Open circuit / Short circuit
	Slow flashing red (1 sec on, 1 sec off)	Battery failure	Battery failed the duration test or function test / No battery
	Green and red off	DC mode	Battery opration (emergency mode)

The emergency battery carries out self-tests automatically to ensure its functionality, it includes 3 types tests :

1. Initial test : As soon as mains supply is connected, the emergency battery will carry out a 3-seconds functional test automatically. In case of a failure, the LED will turn permanent red, otherwise , the charge mode will start.
2. Functional test : Refers to charging, discharging and the functioning of load, it will carry out for 10 seconds automatically every 30 calendar days.
3. Duration test : Refers to the test of batteries capacity, it carry out every 180 calendar days.

## 【Packing】

Model	Demension (mm)	Quantity /box	Quantity /carton	NW (kg)	NW /carton/(kg)	CW (kg)	Carton size (mm)
LLS-BE5535FDXSS1200(N) -T19NW8N-DC	1218*55*35 [47.95"*2.17"*1.38"]	1	6	1.10	6.60	11.0	1298*215*210 [51.10"*8.46"*8.27"]
LLS-BE5535FDXSS1800(N) -T27NW8N-DC	1814*55*35 [71.42"*2.17"*1.38"]	1	6	1.60	9.60	16.0	1894*215*210 [74.57"*8.46"*8.27"]
LLS-BE5535FDXSS2400(N) -T38NW8N-DC	2410*55*35 [94.89"*2.17"*1.38"]	1	6	2.10	12.60	21.0	2490*215*210 [98.03"*8.46"*8.27"]

## 【Attentions】

- 1、 Non-professionals are prohibited from installing, disassembling and repairing the product.
- 2、 Avoid scratching, distortion and irregular bending of the product during installation; otherwise it may cause irreparable damage to the product.
- 3、 Please use professional cutting tools when cutting
- 4、 Do not use any acid or alkaline adhesive to fix products
- 5、 The product is only suitable for indoor dry places, can not be used in outdoor, seaside or wet environment.
- 6、 PC features: Each 10°C rise or drop will make diffuser extend or shrink 0.8mm/m, please confirm before processing and use